

"Miami-Dade County Product Control Approved"  
 Hurricane Shutters & FBC Decorative Shutters Systems  
 U.S. Patent No. 6,996,934-B2 & 7,131,480-B2  
[www.bsishutters.com](http://www.bsishutters.com) Email: bsishutters@juno.com  
 2841 Shoreview Drive, Naples FL 34112  
 Office: 239-774-2025 Fax: 239-774-9483

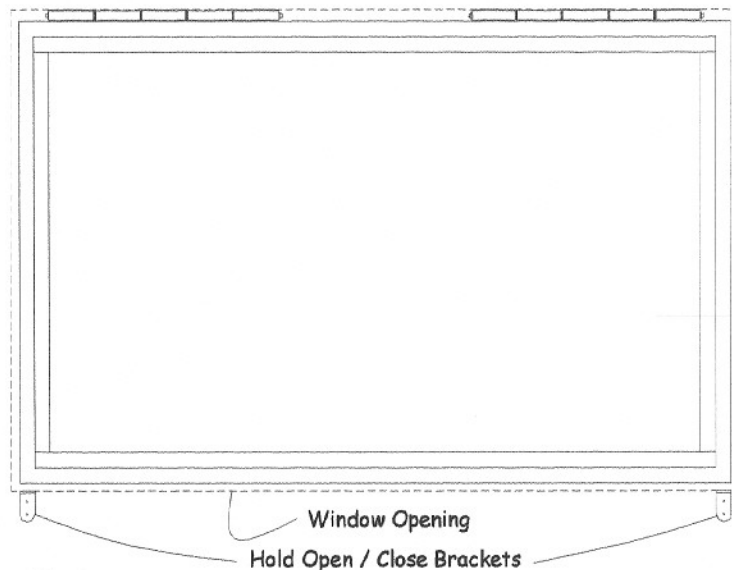
Hurricane Shutter Systems - Bahama NOA: 09-0122.07 & Colonial NOA: 09-0122.08, Expiration Date: 11/28/2012  
 Decorative Shutter Systems - Tested & Certified - Florida Building Code TAS 203-94 & ASTM E1233-06

### 3-HDB Hinged Decorative Bahama, Larger than Opening, Brackets @ Building Face

Check for solid anchoring @ hinges & tabs

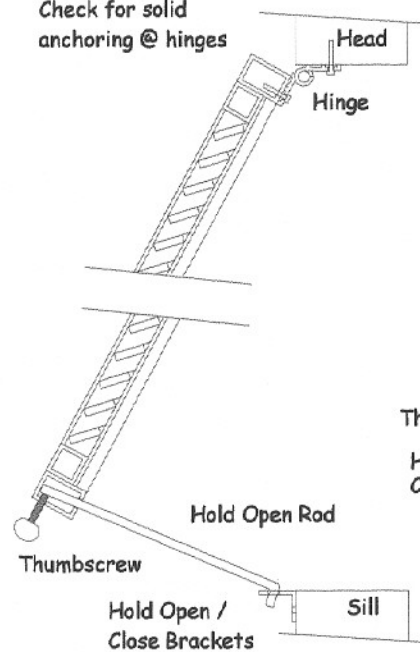
Screw Left Hinge to Building

Screw Right Hinge to Building

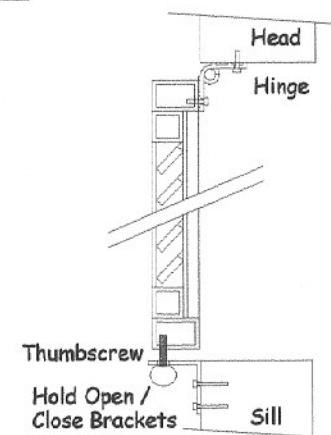


Elevation  
 Figure 1

Check for solid anchoring @ hinges



Open Position  
 Figure 2



Closed Position  
 Figure 3