

"Miami-Dade County Product Control Approved"
Hurricane Shutters and FBC Decorative Shutters
www.bsishutters.com Email: bsishutters@juno.com
Patent No: U.S. 6,996,934 B2 & 7,131,480 B2
2841 Shoreview Drive, Naples FL 34112
Office: 239-774-2025 Fax: 239-774-9483

Hurricane Shutter Systems - Bahama NOA: 09-0122.07 and Colonial NOA: 09-0122.08, Expiration Date: 11/28/2012
Decorative Shutter Systems - Tested and Certified - Florida Building Code TAS 203-94 and ASTM E1233-06

Installation Instructions: 2-Hinged Bahama Smaller than Opening, 3 & 4 Brackets @ Face, 5 & 6 Brackets @ Jambs

Tools Required:

- Cordless or elec. hammer drill w/ 5/16" nut driver or phillips head screw driver, check fasteners provided
- Tape measure
- Level
- Center punch
- Hammer
- Pencil
- Pilot drill bit depends on the type of fasteners provided

Items Included:

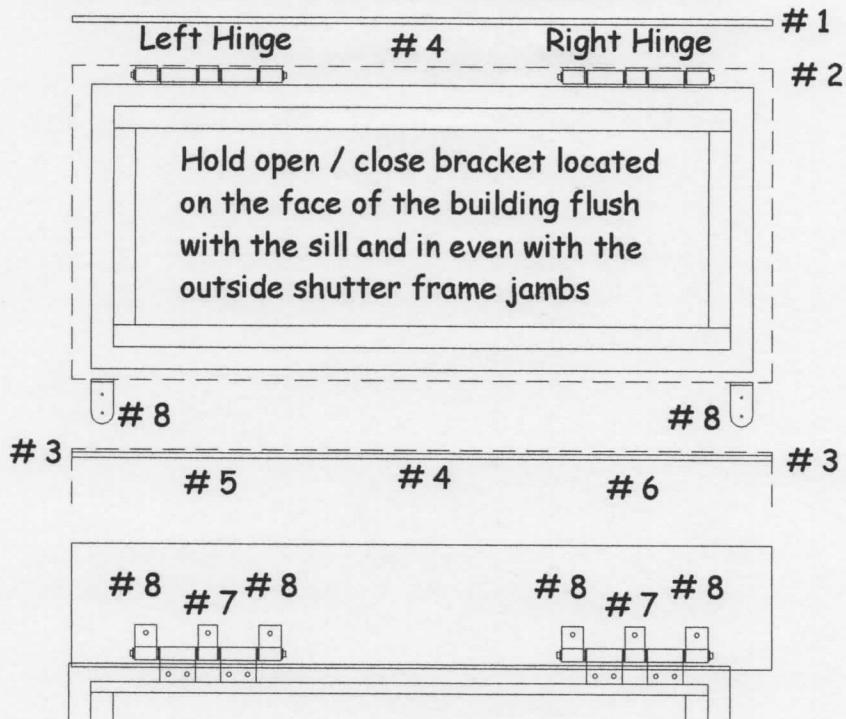
All fasteners - Tap cons w/ drill bit or lag bolts w/o drill bit, 1/4" x 20 Tap & 13/64 or #7 drill bit

Installation Guide:

- #1 Remove the lattice from the hinges, figure 1 2, 3, & 5
- #2 Measure the opening head, figure 1 & 2
- #3 Cut lattice equal amount from both sides to inside the opening at the head, jamb to jamb, figure 1 & 2
- #4 Place the hinge template at the head of the window (in the desired location you want the shutter to hang), figure 1, 2, 3, & 5
- #5 Drill one hole at the left middle hinge & install one screw, figure 1, 2, 3, & 5
- #6 Drill one hole at the right middle hinge, remove the hinge template, figure 1, 2, 3, & 5
- #7 Place the shutter into the opening holding the bottom at a 45-degree angle away from the building screw one screw into the left middle hinge and one screw into the right middle hinge, check shutter for equal clearance on both sides, figure 1, 2, 3, & 5
- #8 Drill and install the rest of the screws, figure 1, 2, 3, & 5
- #9 Place the hold out / close bracket in the desired location & mark the holes
Face of Building: Place the hold out / close bracket flush with the sill and even with the outside shutter frame on the sides, figure 1 & 4
Inside Jamb: Place the hold close bracket 1/4" in from the back of the shutter, centered on the bottom rail of the shutter at the jambs, figure 2 & 6
- #10 Drill & screw the hold out / close bracket to the building, figure 1, 2, 4, & 6
- #11 Inside Jamb: Place the hold open bracket 1/2" higher than the hold close bracket, even with the jamb, figure 6
- #12 Drill & screw the hold open bracket to the building jambs, figure 6
- #13 Place the hold out rod into the hold out bracket on the building (face or jamb) & in to the hole at the shutter frame, figure, figure 4 & 6
- #14 Close the shutter frame and mark the center of the hold open or close bracket on the building, punch the center, drill a hole at each bracket center point using the 13/64 or #7 drill bit, thread the holes with the 1/4 x 20 tap, figure 4 & 6
- #15 When the shutter is in the open position screw the 1/4" thumbscrew back into the hole in the shutter frame, figure 4 & 6
- #16 Install the plastic bumpers to shutter frame or hold close bracket, figure 6

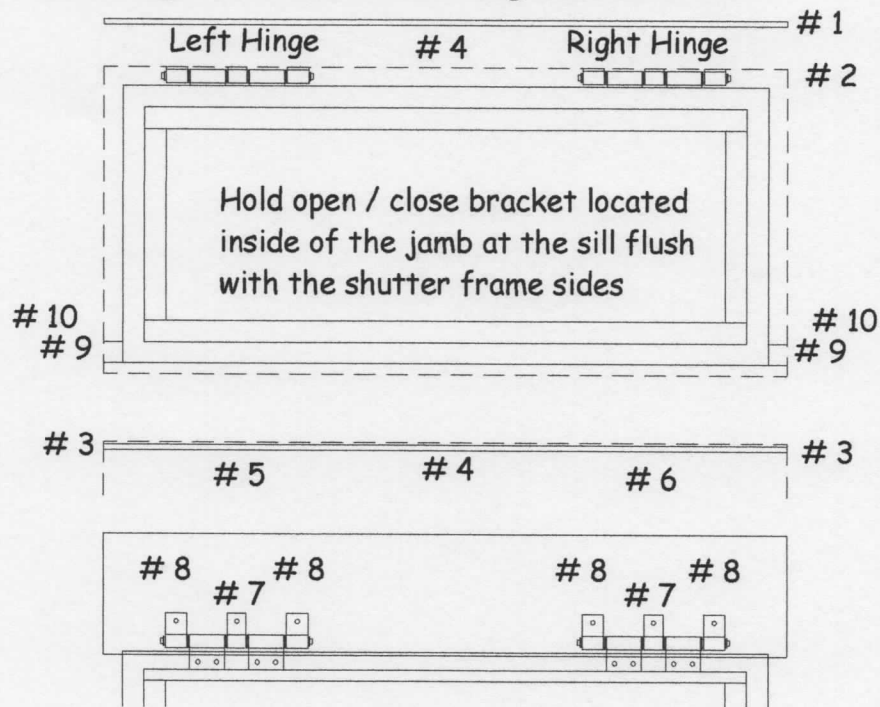
1-Hinged Bahama Shutter

Marking the Shutter & Hinge Locations



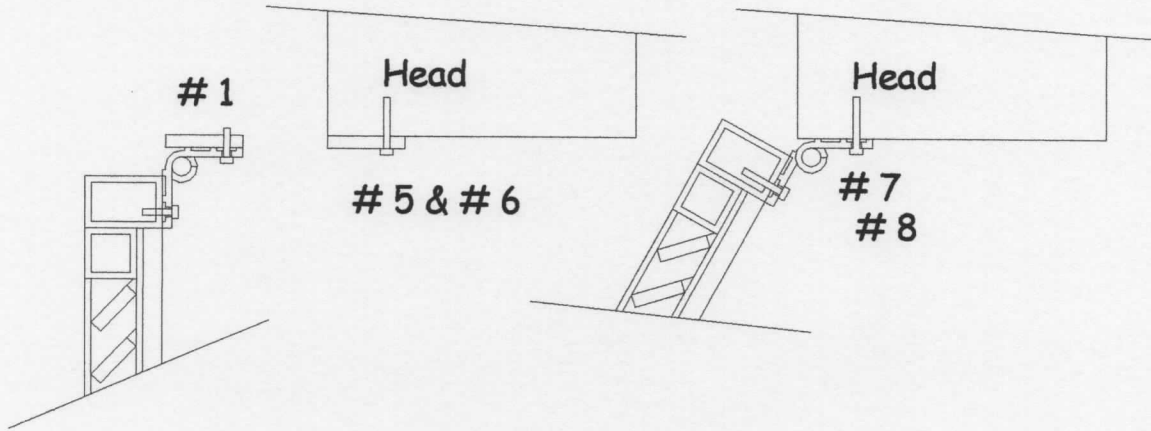
2-Hinged Bahama Shutter

Marking the Shutter & Hinge Locations



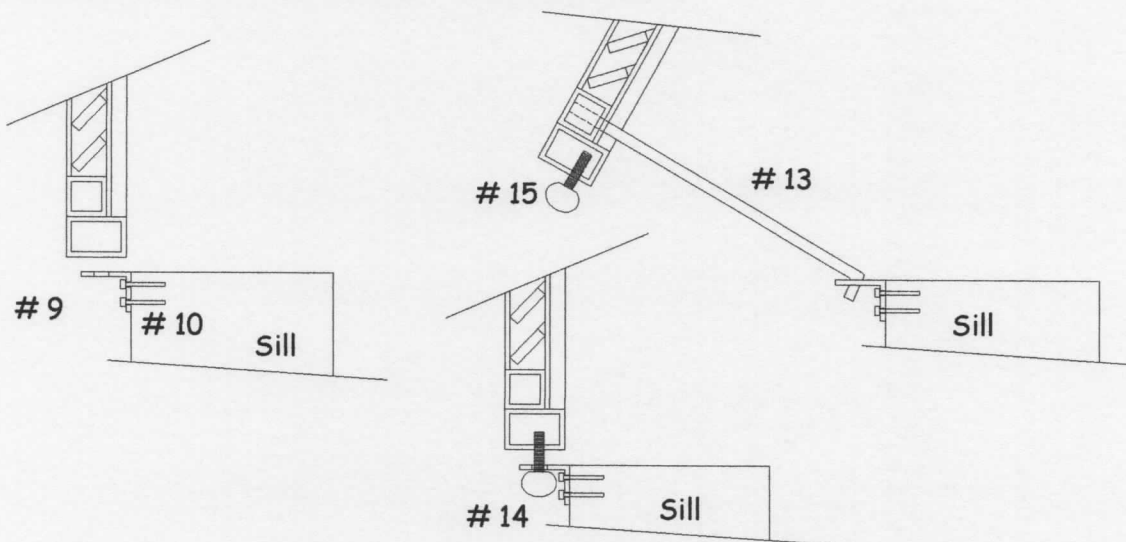
3-Hinged Bahama Shutter, Brackets @ Face of Building

Mounting the Hinges - Shutter Flush with the Outside of the Building



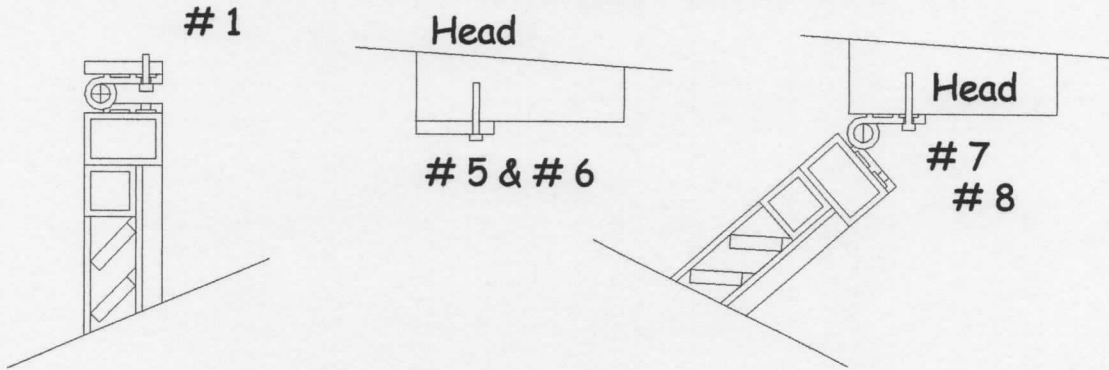
4-Hinged Bahama, Brackets @ Face of Building

Mounting the Hold Open / Close Bracket & Hold Open Rod Mounted on the Face of the Building



5-Hinged Bahama Shutter, Brackets @ Jambs

Mounting the Hinges - Shutter Inside of the Opening at the Jambs



6-Hinged Bahama, Brackets @ Jambs

Mounting the Hold Open / Closed Bracket & Hold Open Rod on the Inside Jambs

