

"Miami-Dade County Product Control Approved"  
Hurricane Shutters & FBC Decorative Shutters Systems  
U.S. Patent No. 6,996,934-B2 & 7,131,480-B2  
[www.bsishutters.com](http://www.bsishutters.com) Email: [bsishutters@juno.com](mailto:bsishutters@juno.com)  
2841 Shoreview Drive, Naples FL 34112  
Office: 239-774-2025 Fax: 239-774-9483

Hurricane Shutter Systems - Bahama NOA: 09-0122.07 & Colonial NOA: 09-0122.08, Expiration Date: 11/28/2012  
Decorative Shutter Systems - Tested & Certified - Florida Building Code TAS 203-94 & ASTM E1233-06

## 2-FDB FIXED DECORATIVE BAHAMA PANEL, FASTENERS @ JAMBS

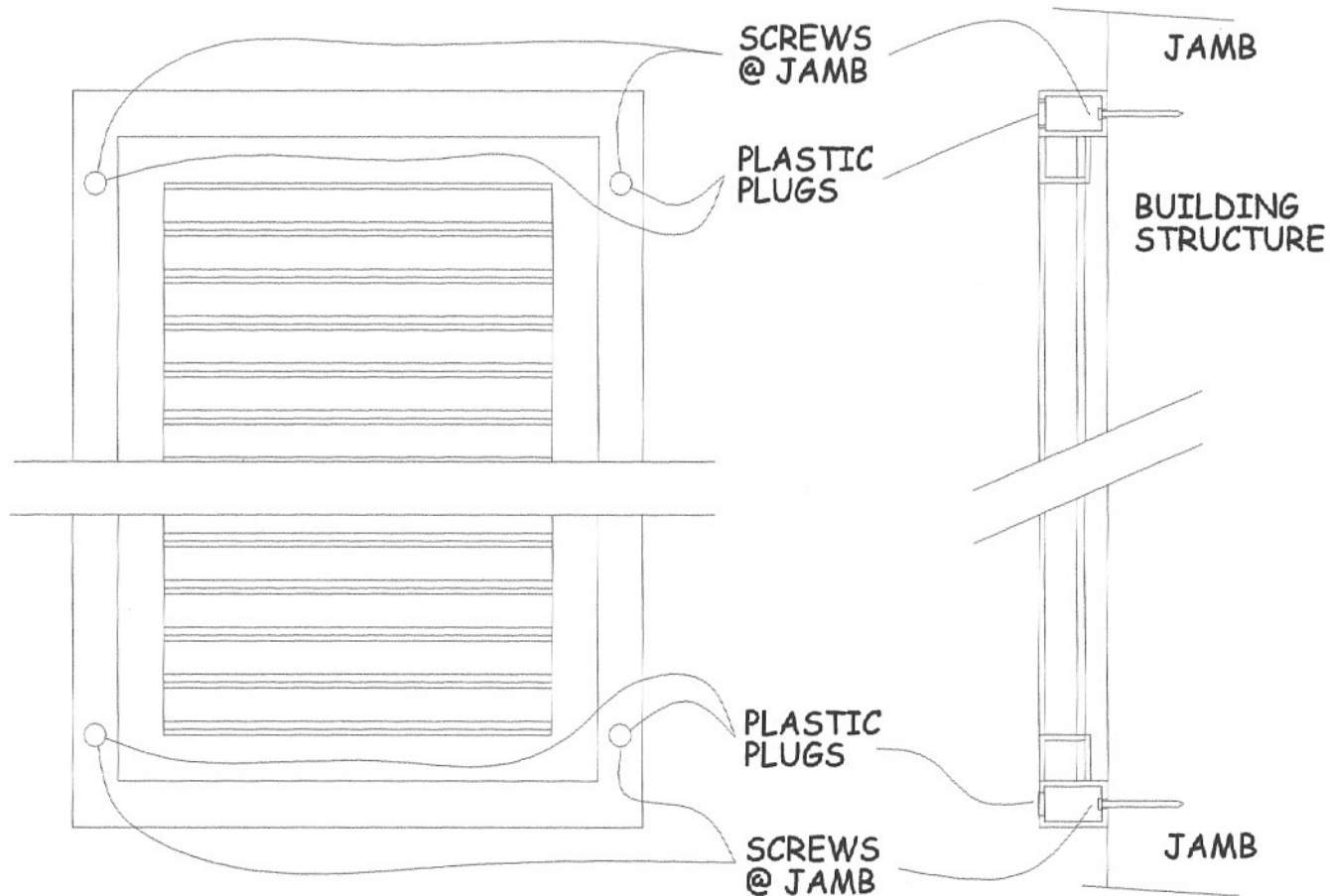


FIGURE 1 - ELEVATION

FIGURE 2 - SECTION