

"Miami-Dade County Product Control Approved"
Hurricane Shutters and FBC Decorative Shutters
www.bsishutters.com Email: bsishutters@juno.com
Patent No: U.S. 6,996,934 B2 & 7,131,480 B2
2841 Shoreview Drive, Naples FL 34112
Office: 239-774-2025 Fax: 239-774-9483

Hurricane Shutter Systems - Bahama NOA: 09-0122.07 and Colonial NOA: 09-0122.08, Expiration Date: 11/28/2012
Decorative Shutter Systems - Tested and Certified - Florida Building Code TAS 203-94 and ASTM E1233-06

Installation Instructions: 1-Hinged Bahama Larger than Opening, 1 & 2 Brackets @ Face, 3 & 4 Brackets @ Jambs

Tools required:

Cordless or elec. hammer drill w/ 5/16" nut driver or phillips head screw driver, check fasteners provided
Tape measure, Level, Center Punch, Hammer, Pencil and/or Masking tape (to eliminate painting the pencil marks)
Pilot drill bit depends on the type of fasteners provided

Items Included:

All Fasteners - tap cons w/ drill bit, Lag bolts w/o drill bit, 1/4 x20 Tap w/ 13/64 or #7 drill bit

Installing the Shutter without a 2 x 4 Guide

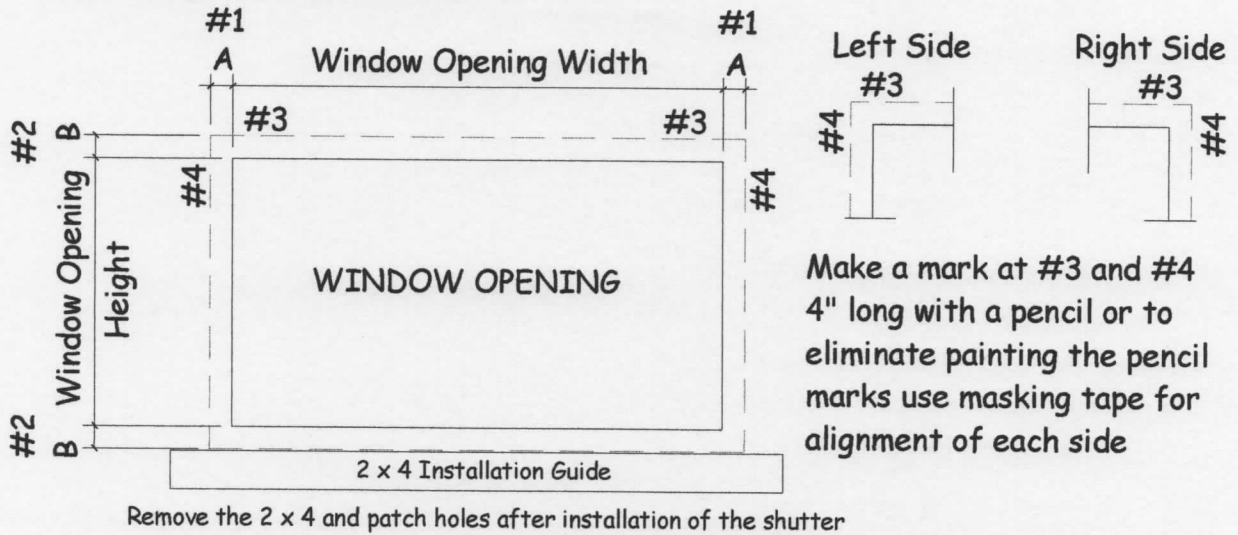
- #1 Subtract the window opening width from the shutter width, then divide that number by 2 for equal distance on both sides = "A", figure 1
- #2 Subtract the window opening height from the shutter height, then divide that number by 2 for equal distance on both sides = "B", figure 1
- #3 Mark a level line (B) at the sill of the opening to match the shutter frame, figure 1
- #4 Mark a plumb line (A) at the window jambs to match the shutter frame, figure 1
- #5 Align the shutter with the marks on the building (B) at the head & (A) at the jambs, figure 1
- #6 Left hinge assembly - drill & screw the middle hinge in place, figure 2 or 3
- #7 Level the head of the shutter, figure 2 or 3
- #8 Right hinge assembly - drill & screw the middle hinge to the building, figure 2 or 3
- #9 Drill all the remaining hinge holes & screw the hinges to the building, figure 2 or 3
- #10 Face of Building: Place the hold out / close bracket on the building the even with the outside of the shutter jamb, 1/4" lower than the bottom of the shutter, figure 2 & 4
- #11 Inside Jamb: Place the hold open bracket even with the outside of the jamb (solid fasting into building structure), 3/4" higher then the sill, figure 3 & 4
- #12 Drill & screw the hold out tabs to the building, figure 2, 3, & 4
- #13 Inside Jamb: Place the hold close bracket 1/2" higher than the hold open bracket, even with the jamb, figure 3 & 4
- #14 Drill & screw the hold close brackets to the building jambs, figure 3, & 4
- #15 Place the hold out rod into the hold out bracket on the building (face or jamb) & in to the hole at the shutter frame, figure 2, 3, or 4
- #16 Close the shutter frame and mark the center of the hold open or close bracket on the building, punch the center, drill a hole at each bracket center point using the 13/64 or #7 drill bit, thread the holes with the 1/4 x 20 tap
- #17 When the shutter is in the open position screw the 1/4" thumbscrew back into the hole in the shutter frame, figure 2, 3, & 4. Install the plastic bumpers to shutter frame or hold close bracket, figure 4

Installing the Shutter with a 2 x 4 guide fastened to the wall at the bottom (sill), figure 1

Follow steps 1, 2, 3, & 4 above, mount a 2 x 4 at the sill where you want the bottom of the shutter (length of the 2 x 4, 4" longer then the shutter), place the shutter on the 2 x 4, fasten the shutter to wall, remove the 2 x 4, patch holes, and paint if necessary

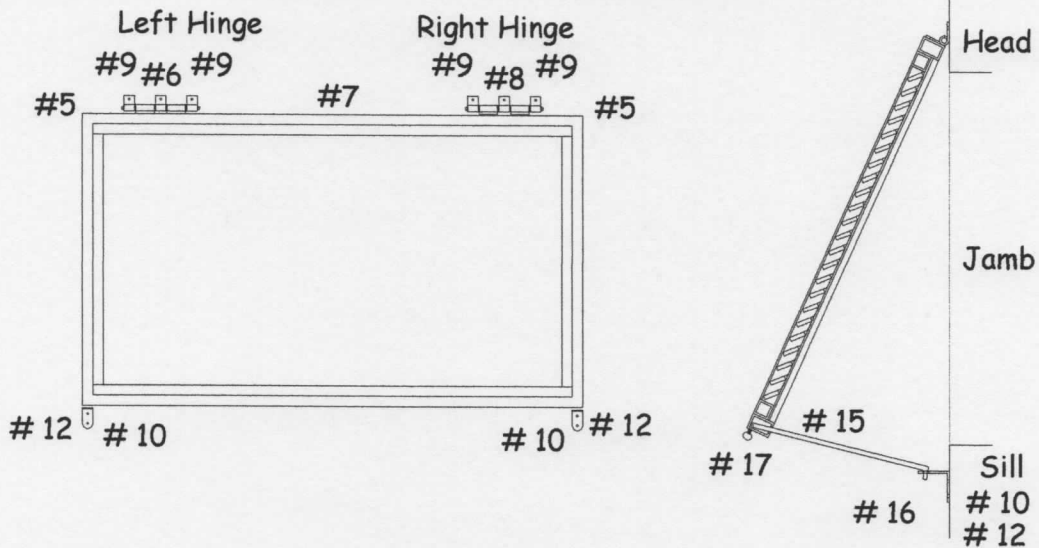
1 Hinged Bahama Shutter

Marking the Shutter Location



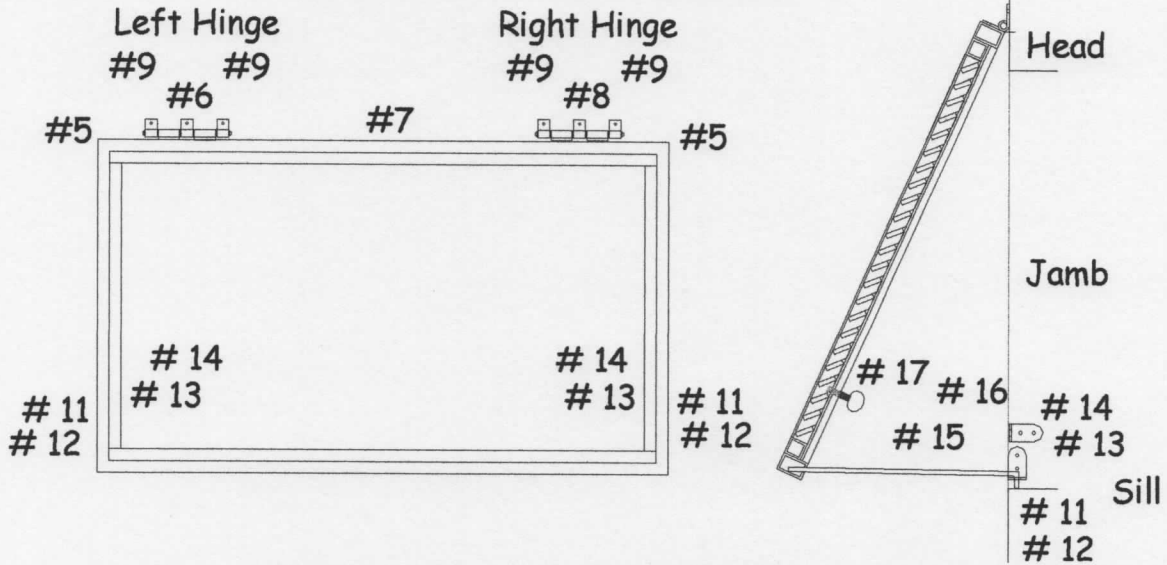
2 Hinged Bahama Shutter, Brackets @ Face of Building

Hold Out Rod into the Holes on the Shutter Frame and into the Brackets at the Building Face



3 Hinged Bahama, Larger than Opening, Brackets @ Jambs

Hold Out Rod into the Holes at the Shutter Frame and into the Brackets at the Building Jamb



4 Hinged Bahama Shutter, Larger than Opening, Brackets @ Face of Building & Jambs

